





Microwave Equipment Accessories

Our Industrial microwave Equipment accessories unique features and advantages:

1. Microwave equipment accessories are applied to various microwave equipment, which will not damage our surrounding environment.
2. We have different types of microwave machinery accessories. They can meet your different requirements.
3. Industrial microwave machine accessories with simple operation system and high efficiency.
4. Microwave equipment accessories could greatly save labor costs.
5. Short delivery time: we have experienced workers who can manufacture industrial microwave machinery parts in a short time.

What kind model of accessories do you need?

Our Industrial microwave Equipment Company can supply you various kinds of microwave accessories .They are favored by customers because of their superior quality and competitive price .Please contact us for more details and prices of microwave accessories.

			
microwave equipment accessories	microwave equipment accessories	microwave equipment accessories	microwave equipment accessories can be customized

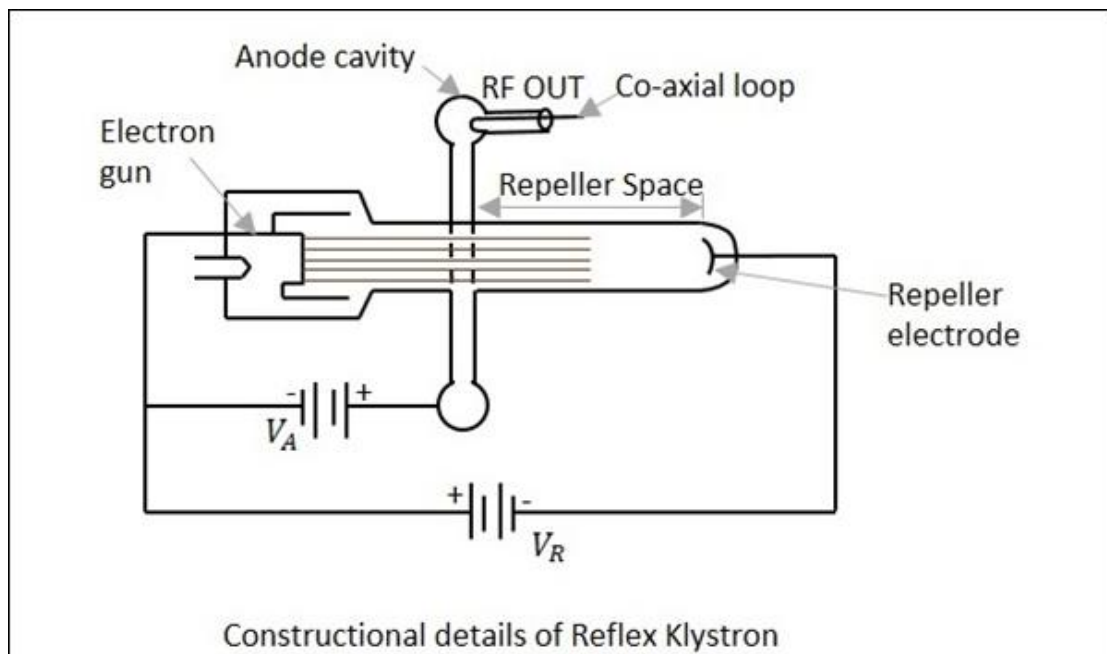
Technical parameters

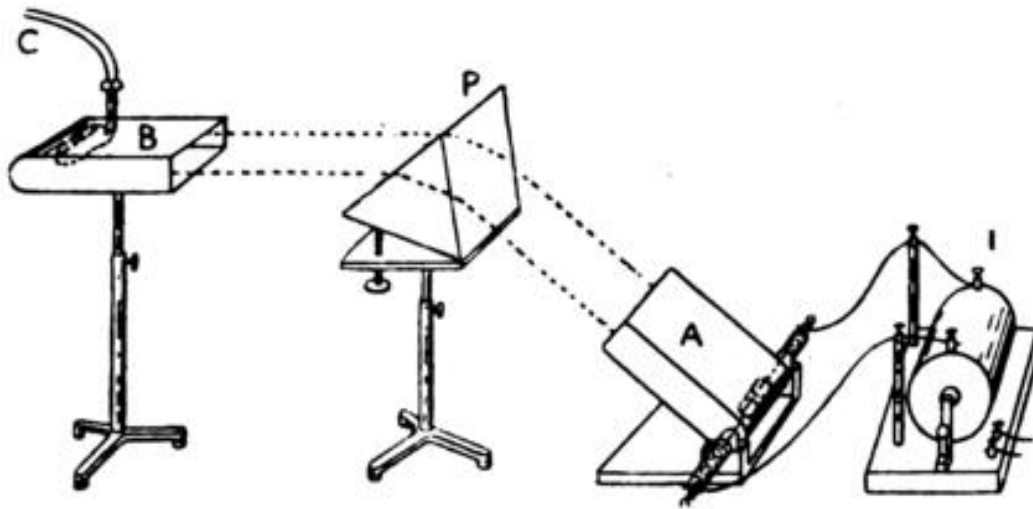
Name	industrial microwave accessories
Brand	Leader
Power	adjustable
Material	glass fiber reinforced plastics/anticorrosive carbon steel/304 stainless steel/316L stainless steel /titanium alloy
Range of application	industry microwave equipment
Using requirements	customized

Special service	repair/replacement/refund warranty services
-----------------	---

Our engineers prefer to design using proven circuits and approaches, but they also explore the use of more exotic methods. Spectrum Microwave conducts internal research and development programs that attempt to exploit new technologies. Some examples include MEMS RF switches, high speed Schottky and silicon PIN level limiting, GaAs PIN diode switching, and high-speed direct frequency synthesizers. We also have demonstrated stopband performance to 40 GHz and ripple reduction in switched filter banks through control of impedance transitions between switches and filters.

Key Feature	Ready-to-use switch matrix with USB-Controlled. Soft Front Panel (SFP) is provided for ease of switch controlling	Dual SP6T switches with SMA connector for connection to instrument / DUT ports	0.03dB IL repeatability	5 million cycles operating life (typ. 10 million cycles)
Benefit	Provide fast and easy setup and control	Extends instrument's ports and increase throughput	Ensure measurement accuracy and improves signal integrity	Reduces cost of test and ensures reliability of the test system life expectancy





Our Leader Microwave Equipment products have the following advantages: excellent quality, easy to use and environmental protection. Our good after-sales service have help us to win many loyal customers and our products sales to worldwide .

Before or after your purchase,you can enjoy the service of consulting,debugging and installation . If necessary, on-site maintenance and testing is also available .The tradition of regular return visits has also been well received. Please contact us if you also want to buy .